

ITEM NO.	PART / ASSEMBLY	QTY.
1	SB-GILL-L-600-3	1
2	SB-GILL-R-600-3	1
3	Rail	1
4	False Start Bracket	1
5	Carrying Handle	1
6	FHS M8 x 16mm	2
7	1/4" Track Spikes	40

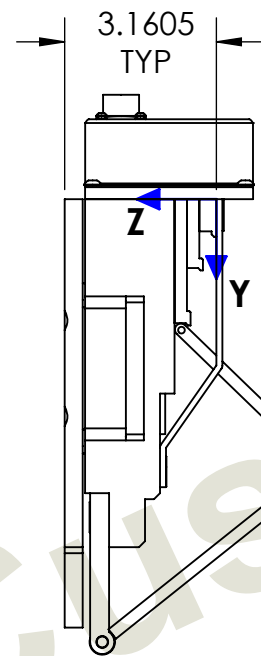
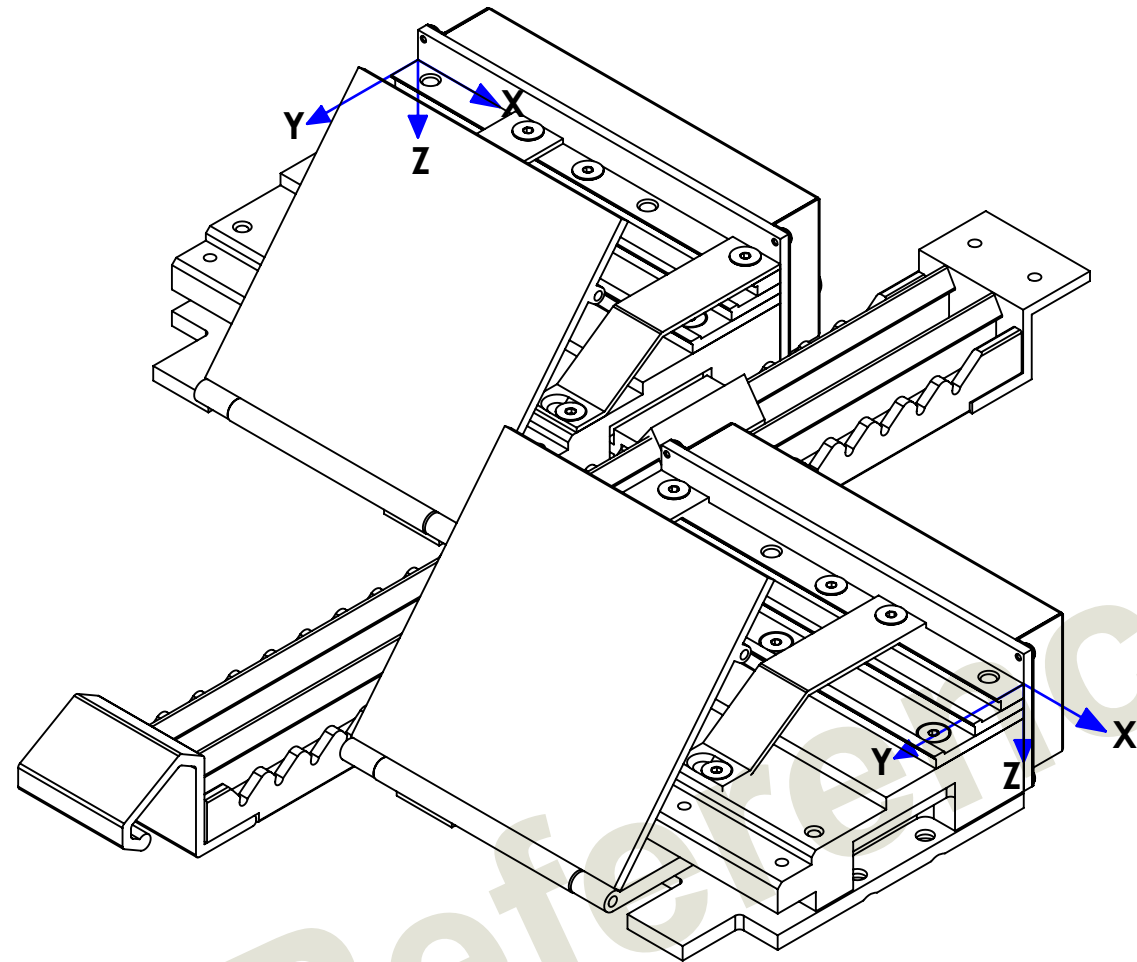


THE INFORMATION CONTAINED IN THIS DRAWING IS THE SOLE PROPERTY OF BERTEC CORPORATION. ANY REPRODUCTION IN PART OR AS A WHOLE WITHOUT THE WRITTEN PERMISSION OF BERTEC CORPORATION IS PROHIBITED.

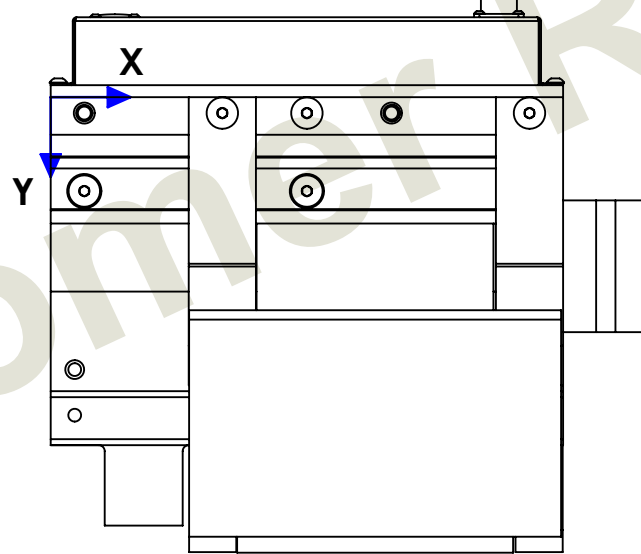
PART NO. 95P-0036-2	
TITLE: Instrumented Sprint Starting Block Set	
-SCALE- 1:3	-REV- 1
-DRAWN- LK	-DATE- 12/21/22

UNLESS OTHERWISE SPECIFIED:  
 Primary Dimensions Are in Inches  
 Secondary Dimensions are in [mm]

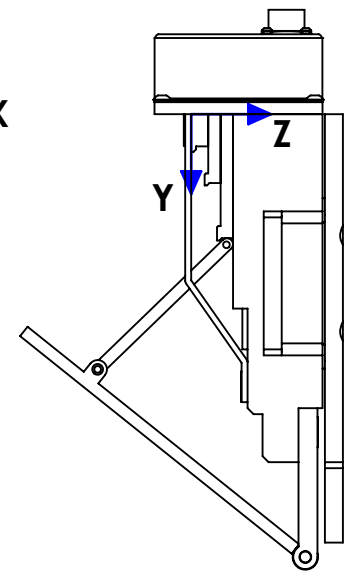
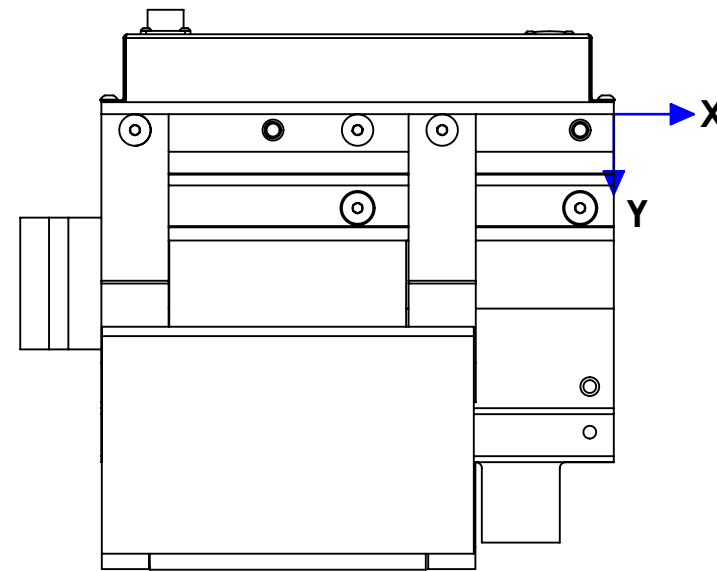
3rd ANGLE PROJECTION



SB-GILL-R-600-3  
RIGHT LOAD CELL



SB-GILL-L-600-3  
LEFT LOAD CELL



THE INFORMATION CONTAINED IN THIS DRAWING IS THE SOLE PROPERTY OF BERTEC CORPORATION. ANY REPRODUCTION IN PART OR AS A WHOLE WITHOUT THE WRITTEN PERMISSION OF BERTEC CORPORATION IS PROHIBITED.

PART NO.		95P-0036-2	
TITLE:		Origin and Coordinate System	
-SCALE- 1:4	-REV- 1	-DRAWN- LK	-DATE- 12/21/22

UNLESS OTHERWISE SPECIFIED:  
Primary Dimensions Are in Inches  
Secondary Dimensions are in [mm]

